

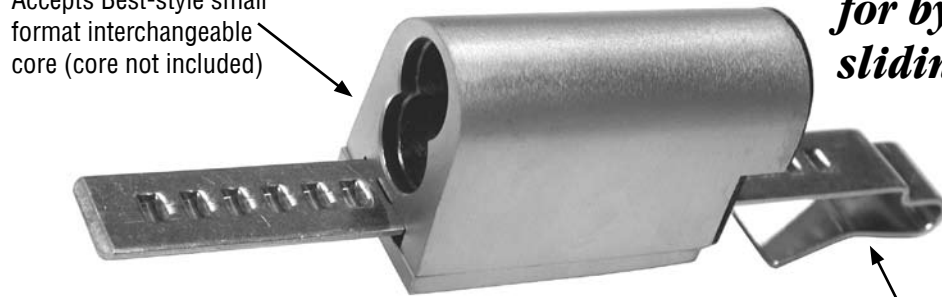
Product

729R Series

Small Format IC Core Ratchet Lock

Slide On - Clamp On - Screw On
This lock does it all!

Accepts Best-style small
format interchangeable
core (core not included)



***Ratchet lock
for bypassing
sliding doors***

Ships standard with strap for 1/4" material
thickness. Optional straps for 3/8" or 5/8"
material thicknesses available.

Includes above plastic
actuator to functionally
test lock without core

729RS-3 Optional strap



This optional strap is fully adjustable via set
screws for material thicknesses of 3/8" to 5/8"

Data Sheet

Features & Benefits:

- ❖ True ratcheting function! No key required to relock doors.
- ❖ Alternate straps fit a variety of material thicknesses.
- ❖ The included strap and strap #2 can be clamped on or our alternate strap #3 can be secured by the use of two set screws.
- ❖ Overhang on back of lock prevents prying.
- ❖ Includes plastic actuator to functionally test lock without core.

**TLC Security
Systems**

Now available from TLC!

620 Mamaroneck Ave.
Mamaroneck, NY 10543
www.tlcsecuritysystems.com

Phone 800-992-2213
Fax 914-698-9475

729R SERIES

Small Format IC Core Ratchet Lock

OLYMPUS
LOCK, INC.
The cabinet lock innovators.

General Specifications

729R Series Ratchet Lock

Application: For bypassing sliding doors

Function: Strap slides into body to hold doors secure. Lock body overhang discourages prying.

Body: Zinc die cast

Body width: 1-1/8"

Body length: 2-3/8"

Max. door material thickness: 1/4"

Finish: US26D (satin chrome)

Cylinder: Not included, accepts standard small format IC cores as manufactured by Best, Arrow, Falcon or other compatible small format IC core manufacturers

Keying: n/a

Accessories

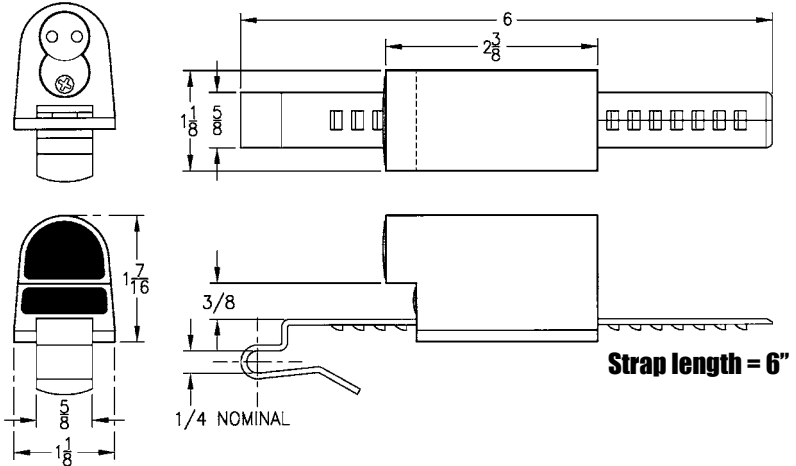
Includes:

- 725-PA plastic actuator
- 729RS-1 strap for 1/4" door material thickness

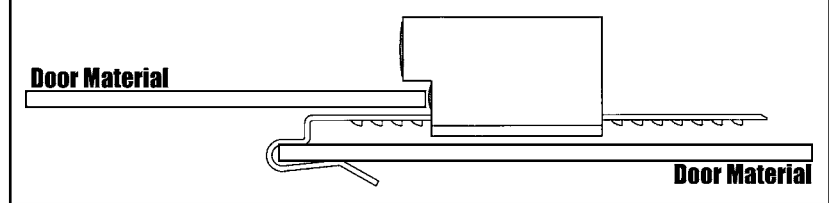
Available separately:

- 729RS-2 strap for 3/8" door material thickness
- 729RS-3 adjustable strap for maximum 5/8", minimum 3/8" panel thickness

729R Series Dimensions



729R typical installation:

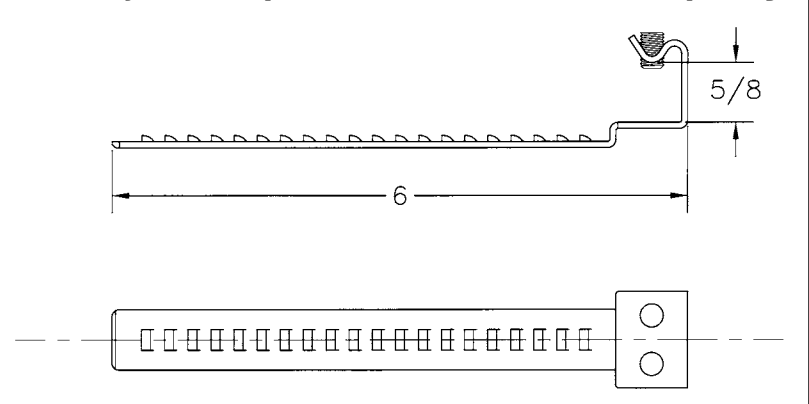


Alternate Strap Dimensions

729RS-2 strap for 3/8" material. Available separately.



729RS-3 adjustable strap for 3/8" to 5/8" material. Available separately.



OLYMPUS
LOCK, INC.
The cabinet lock innovators.

18424 Highway 99
Lynnwood, WA 98037

© 2007 Olympus Lock, Inc.